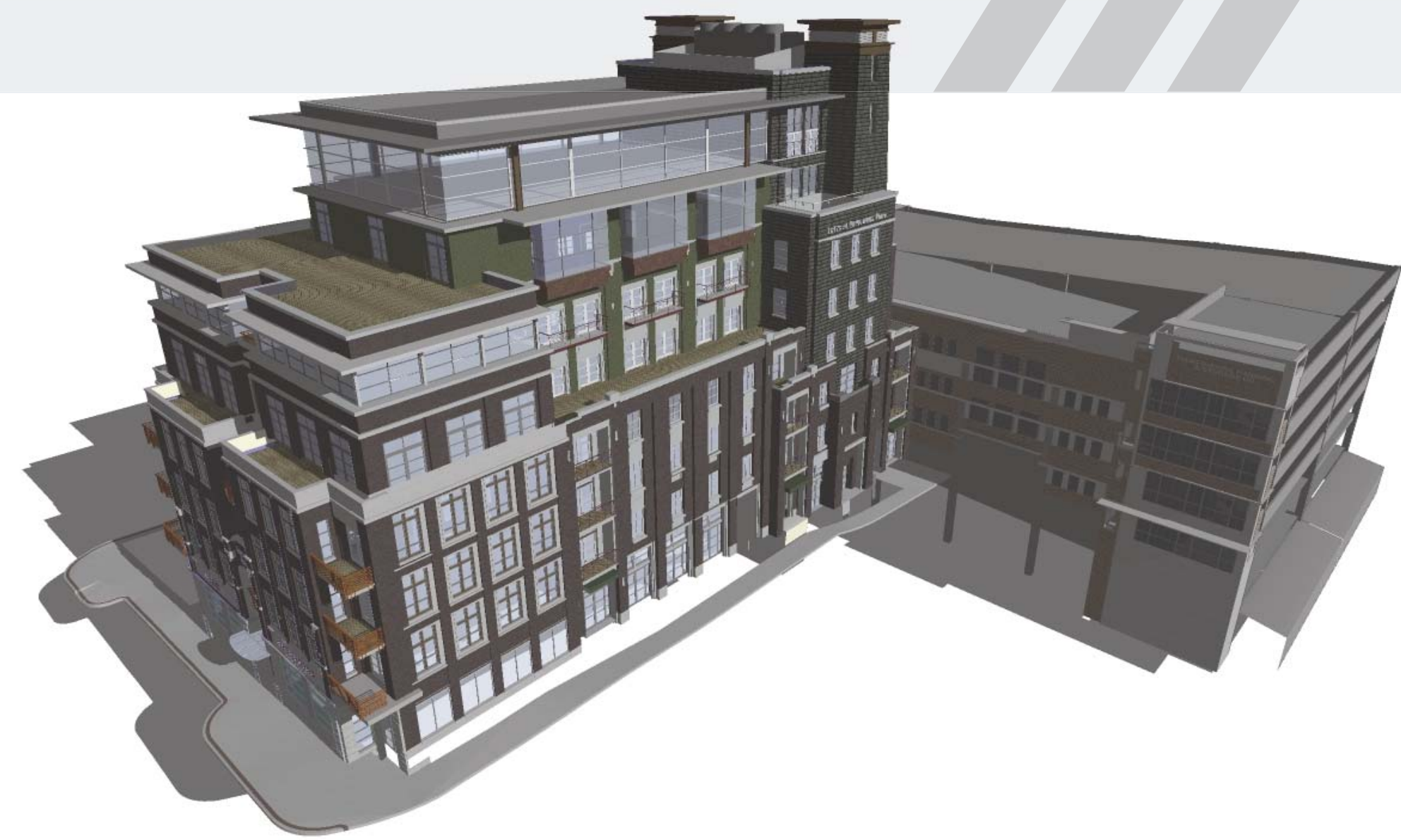


# Creating Usable files for Sketch-up Using High Detail Architectural Models

1\*



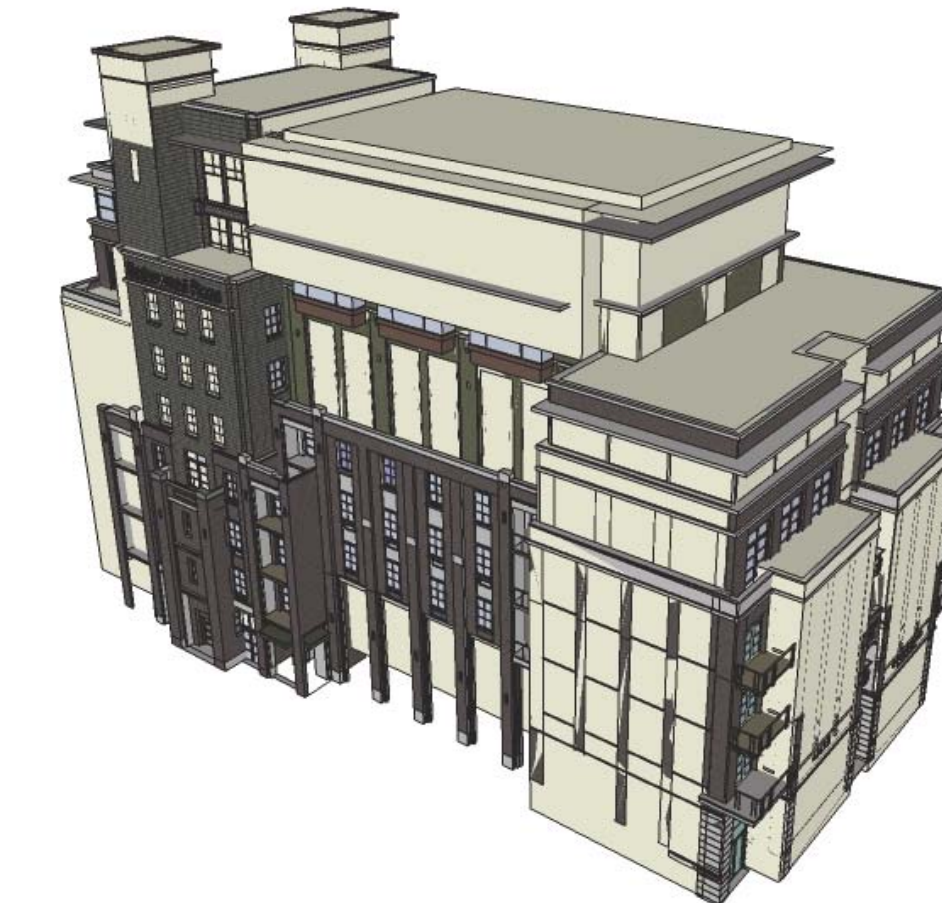
2



3

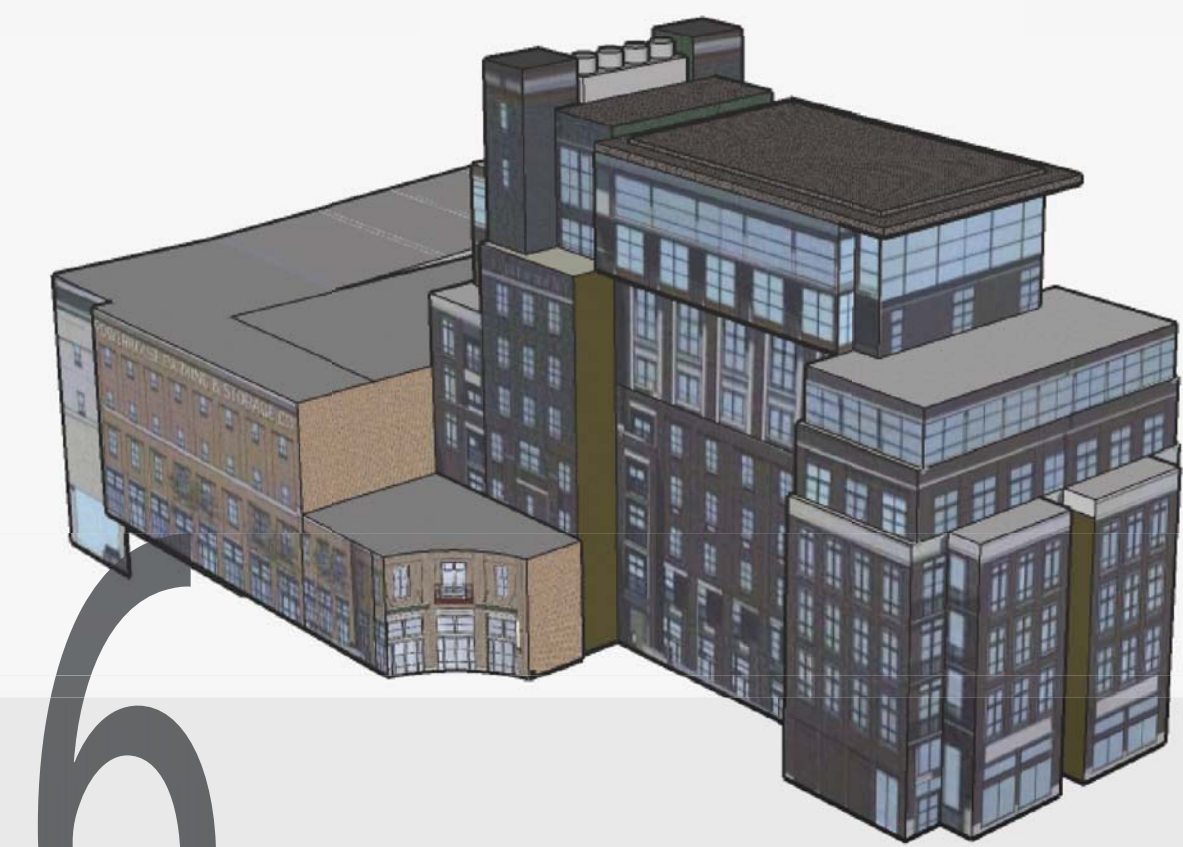


4



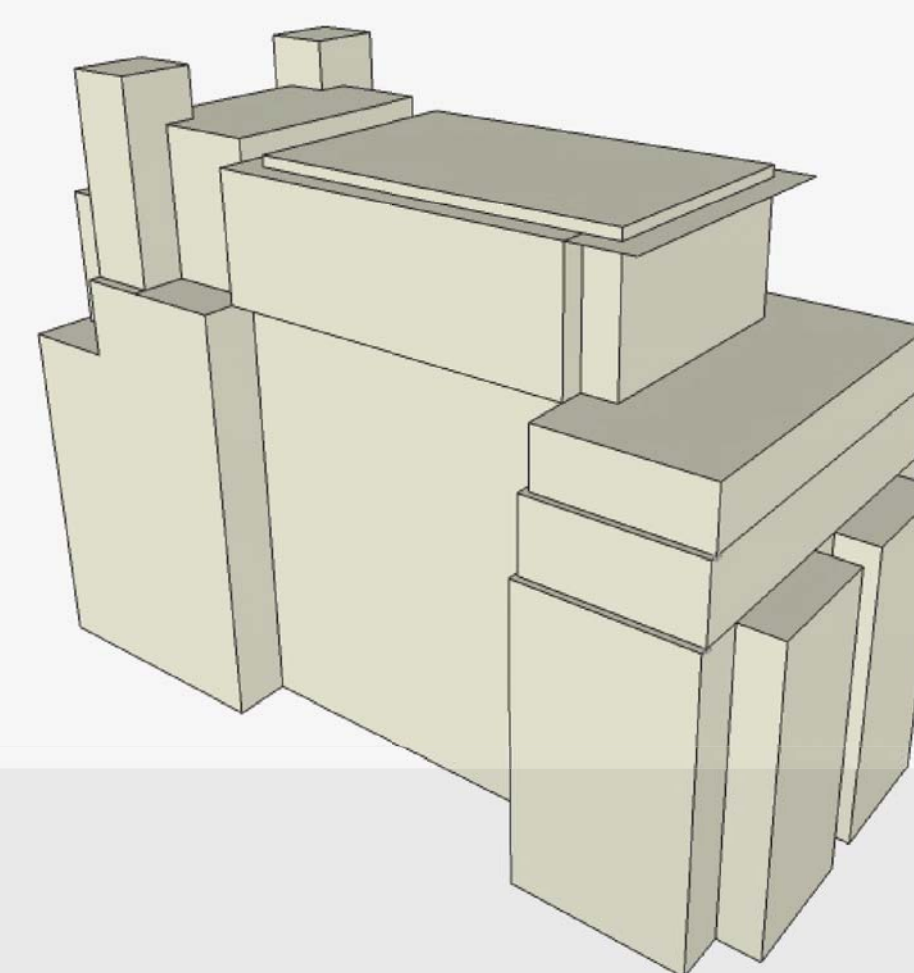
## File Size Reduction:

Initial file size of Image 1 was approximately 44.5 megabytes. After the faces were flattened and the elevations applied, file size was reduced to 1.7 megabytes, a significant reduction that results in more usable information.



6

5



1. View of large model.
2. Capture elevations.
3. Break down large model into smaller parts.
4. Begin to flatten faces.
5. Finish flattening.
6. Apply elevations to flat faces.